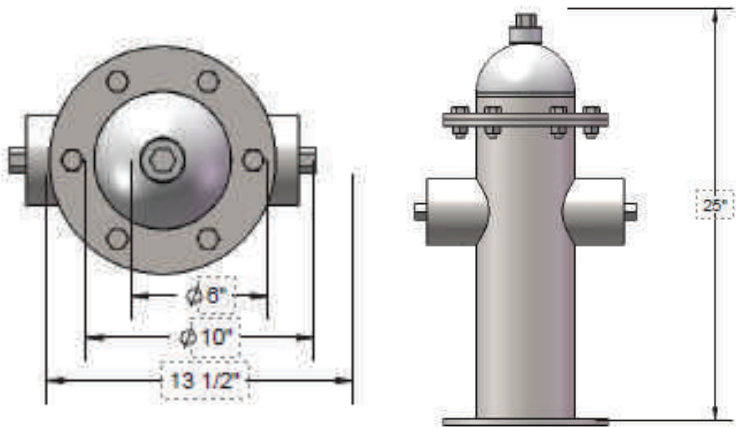


# Free Standing

FIRE HYDRANT | 2DGS-FH465-000R

DOG PARK



**WEIGHT:** 27 LBS

**DIMENSIONS:**

13.5" W X 25" H

***CAD Overview***