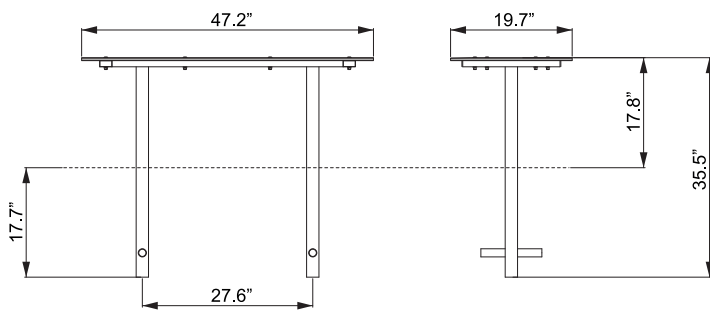
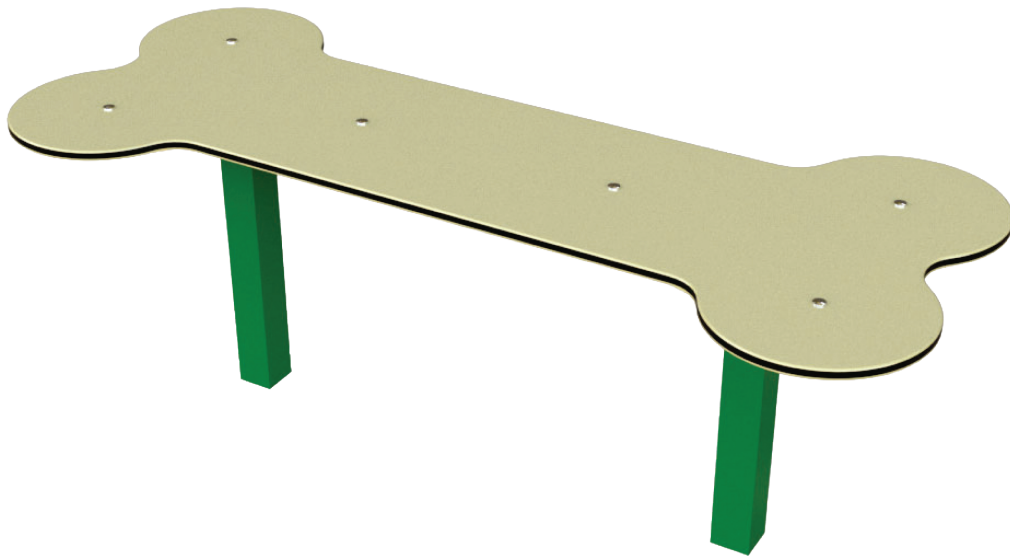


# Free Standing

**BONE BENCH | FIELD | 2DGS-PET26-000F**

**DOG PARK**



**CAD Overview**

**CAPACITY: 3**

**DIMENSIONS:**

3.94' X 1.64' X 2.92'

**WEIGHT: 45.19 LBS**