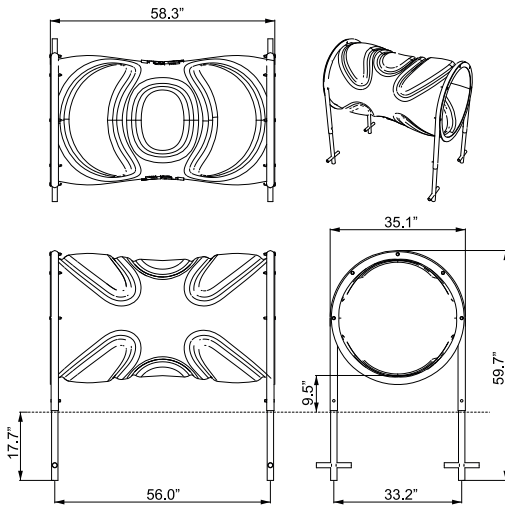


Free Standing

TUNNEL RUN | FIELD | 2DGS-PET24-000F

DOG PARK



WEIGHT: 72.86 LBS
DIMENSIONS:
4.89' X 3.51' X 5.18'

CAD Overview